

24" Washer

Ascenta (WAP24200UC)



Ascenta
(WAP24200UC)
White

Key Features

Large Capacity on Compact Footprint

15 Wash Cycles plus 6 Selectable Options

Large LED Display with Remaining Time

Unique Raindrop Stainless Steel Drum

AntiVibration Technology for Second Floors Installation

Washer plugs into Bosch 240V Dryer. Space saving and Flexible Installation.

General Properties

Tub Material	Stainless steel
Maximum spin speed (rpm)	1,200 rpm
Internal Water Heater	Yes
Stackability	Yes

Quietness

Silence level - washing (dBA)	54
Silence level - spinning (dBA)	74

Efficiency

Energy consumption (kWh/yr)	136
Water Consumption (gal/y)	3890

Wash Cycles & Options

Number of Options	6
-------------------	---

Capacity

Capacity (cu. ft.)	2.2
Load Capacity	16 bath towels

Technical Details

Watts (W)	2300
Current (A)	12
Volts (V)	208-240
Frequency (Hz)	60
Plug type	NEMA 6-15 (3 Prong)
Power cord included	Yes
Power cord length (in)	61 (Full Length)
Drain hose length (in)	57 (Full Length)
Inlet hose length (in)	47 (Full Length)

Dimensions & Weight

Overall appliance dimensions (HxWxD) (in)	33 1/4 x 23 1/2 x 25
Net weight (lbs)	170
Minimum Stack Height (in)	67

Accessories (Optional)

Pedestal	WMZ20490
----------	----------



* For help and assistance with Bosch accessories please visit: www.bosch-eshop.com/eshop/bosch/us or call 1-800-944-2904 Mon-Fri 5am to 6pm PST Sat 6am to 3pm PST

Notes: All height, width and depth dimensions are shown in inches. Please refer to installation instructions prior to making cutout. BSH reserves the absolute and unrestricted right to change product materials and specifications, at any time, without notice. Consult the product's installation instructions for final dimensional data and other details. Applicable product warranty can be found in accompanying product literature or you may contact your account manager for further details.

Warranties: Limited warranty, entire appliance, parts and labor (1 year); Limited warranty for control board (microprocessor); parts only (1st to 2nd year); Limited warranty for motor or any component of the motor (1st year to 2nd year)

For more information on our entire line of products, go to www.bosch-home.com/us or call 1-800-944-2904

Copyright ©2013 BSH Home Appliances Corporation. All rights reserved. Bosch is a registered trademark of Robert Bosch GmbH.

13-BOS-0166 SH 5/13

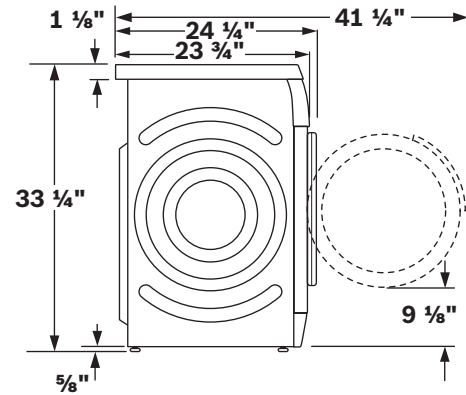
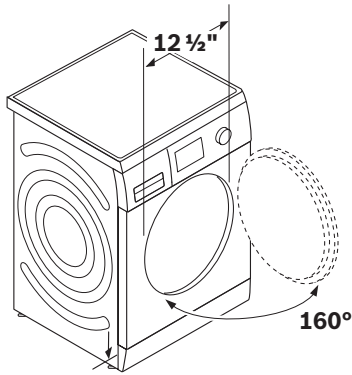


24" Washer

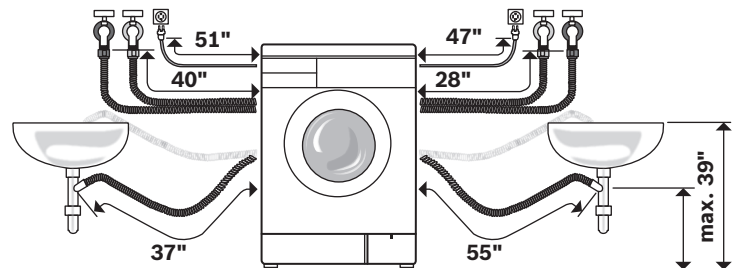
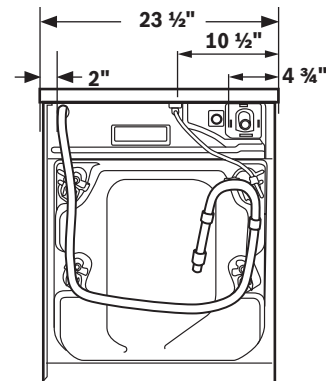
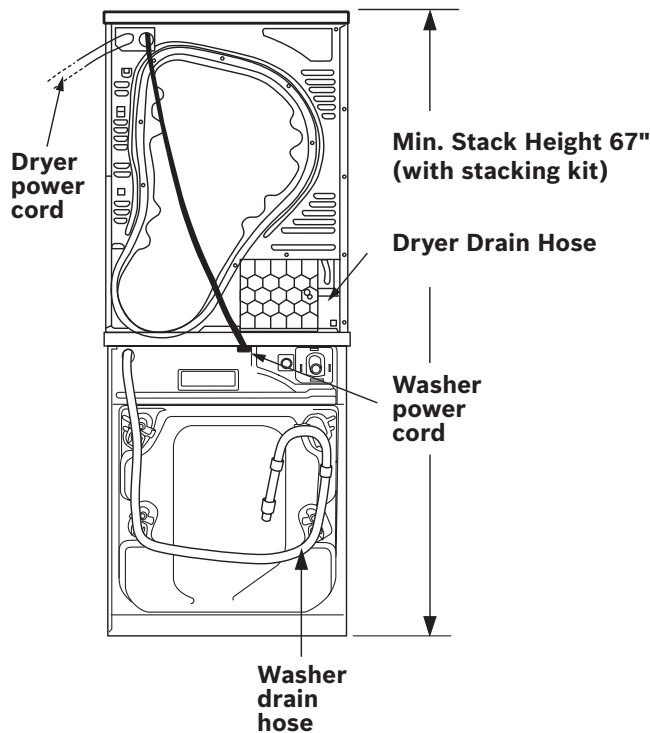
Ascenta (WAP24200UC) continued



Dimensions



Washer plugged into the dryer



* For help and assistance with Bosch accessories please visit: www.bosch-eshop.com/eshop/bosch/us or call 1-800-944-2904 Mon-Fri 5am to 6pm PST Sat 6am to 3pm PST

Notes: All height, width and depth dimensions are shown in inches. Please refer to installation instructions prior to making cutout. BSH reserves the absolute and unrestricted right to change product materials and specifications, at any time, without notice. Consult the product's installation instructions for final dimensional data and other details. Applicable product warranty can be found in accompanying product literature or you may contact your account manager for further details.

Warranties: Limited warranty, entire appliance, parts and labor (1 year); Limited warranty for control board (microprocessor); parts only (1st to 2nd year); Limited warranty for motor or any component of the motor (1st year to 2nd year)

For more information on our entire line of products, go to www.bosch-home.com/us or call 1-800-944-2904

Copyright ©2013 BSH Home Appliances Corporation. All rights reserved. Bosch is a registered trademark of Robert Bosch GmbH.

13-BOS-0166 SH 5/13

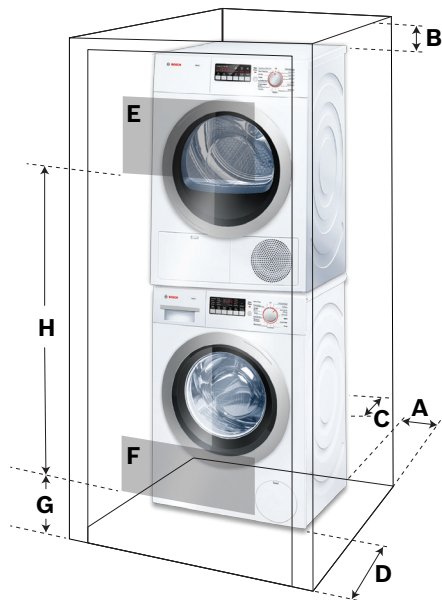
24" Washer

Ascenta (WAP24200UC) continued



Enclosure Dimensions

Closet: Stacked



Clearance requirements (Minimum)

A Both Sides	5/8 in.
B Top	6 1/4 in.
C Rear	3 1/4 in.
D Front	3 1/2 in.

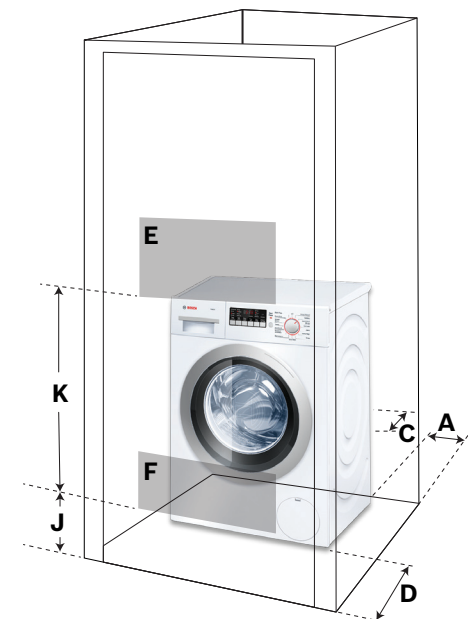
Ventilation Area (Minimum)

E Top	63 sq. in.
F Bottom	63 sq. in.

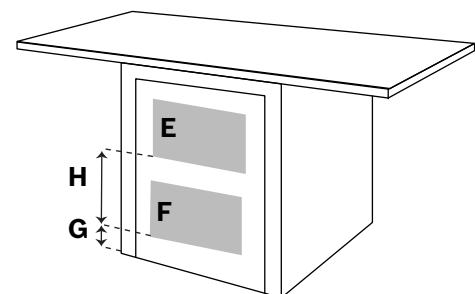
Vent Spacing

G	37 in.
H	26 in.
J	3 in.
K	29 in.

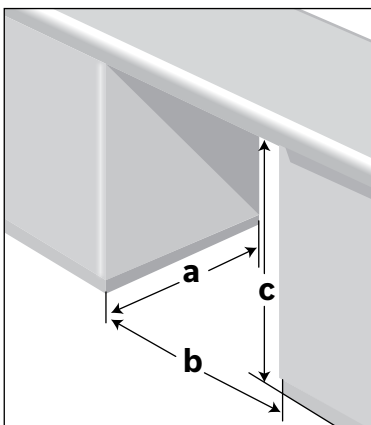
Closet: Stand Alone (shown) or Side by Side



Under Counter: (Less Preferred)



Under Counter: (Preferred)



Front of the appliance fully open.
No doors or coverings.

Minimum opening dimensions

a	23 7/8 in.
b	23 7/8 in.
c	33 1/2 in.

If front of the appliance is covered,
ventilation openings must be installed.

E & F are minimum area sizes

E	63 sq. in.
F	63 sq. in.

G & H actual spacing dimensions for min. open area sizes

G	3 in.
H	14 in.



* For help and assistance with Bosch accessories please visit: www.bosch-eshop.com/eshop/bosch/us or call 1-800-944-2904 Mon-Fri 5am to 6pm PST Sat 6am to 3pm PST

Notes: All height, width and depth dimensions are shown in inches. Please refer to installation instructions prior to making cutout. BSH reserves the absolute and unrestricted right to change product materials and specifications, at any time, without notice. Consult the product's installation instructions for final dimensional data and other details. Applicable product warranty can be found in accompanying product literature or you may contact your account manager for further details.

Warranties: Limited warranty, entire appliance, parts and labor (1 year); Limited warranty for control board (microprocessor); parts only (1st to 2nd year); Limited warranty for motor or any component of the motor (1st year to 2nd year)

For more information on our entire line of products, go to www.bosch-home.com/us or call 1-800-944-2904

Copyright ©2013 BSH Home Appliances Corporation. All rights reserved. Bosch is a registered trademark of Robert Bosch GmbH.

13-BOS-0166 SH 5/13